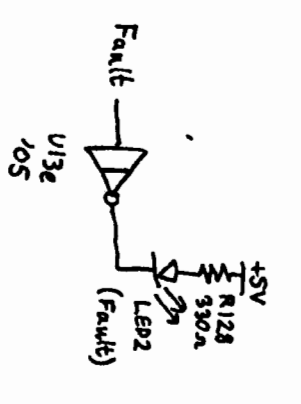
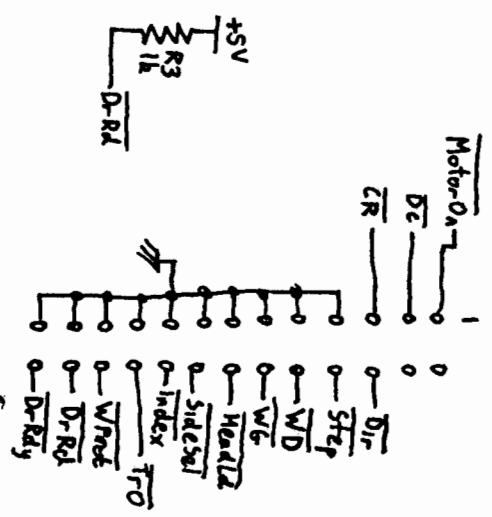
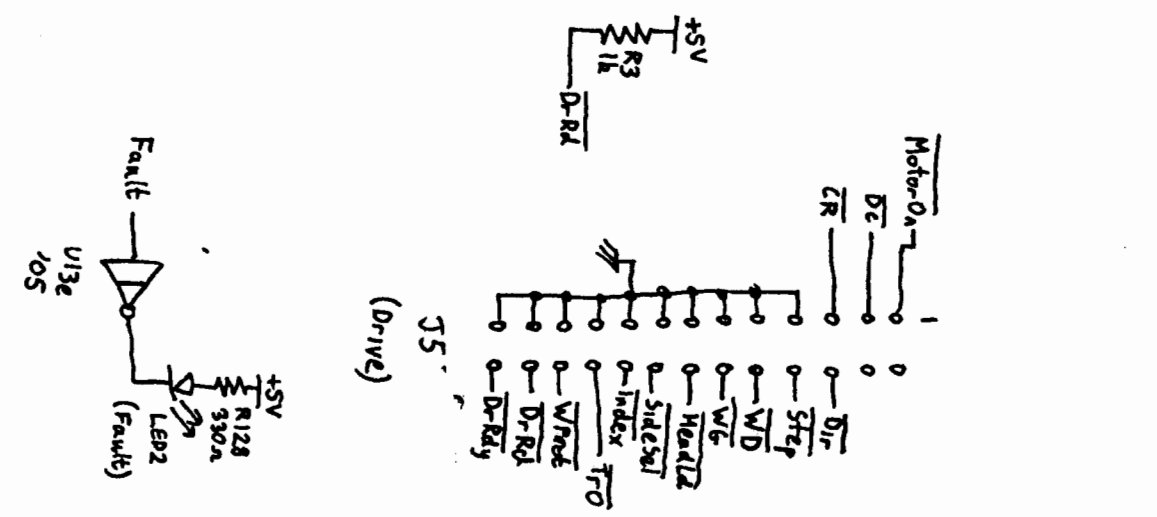
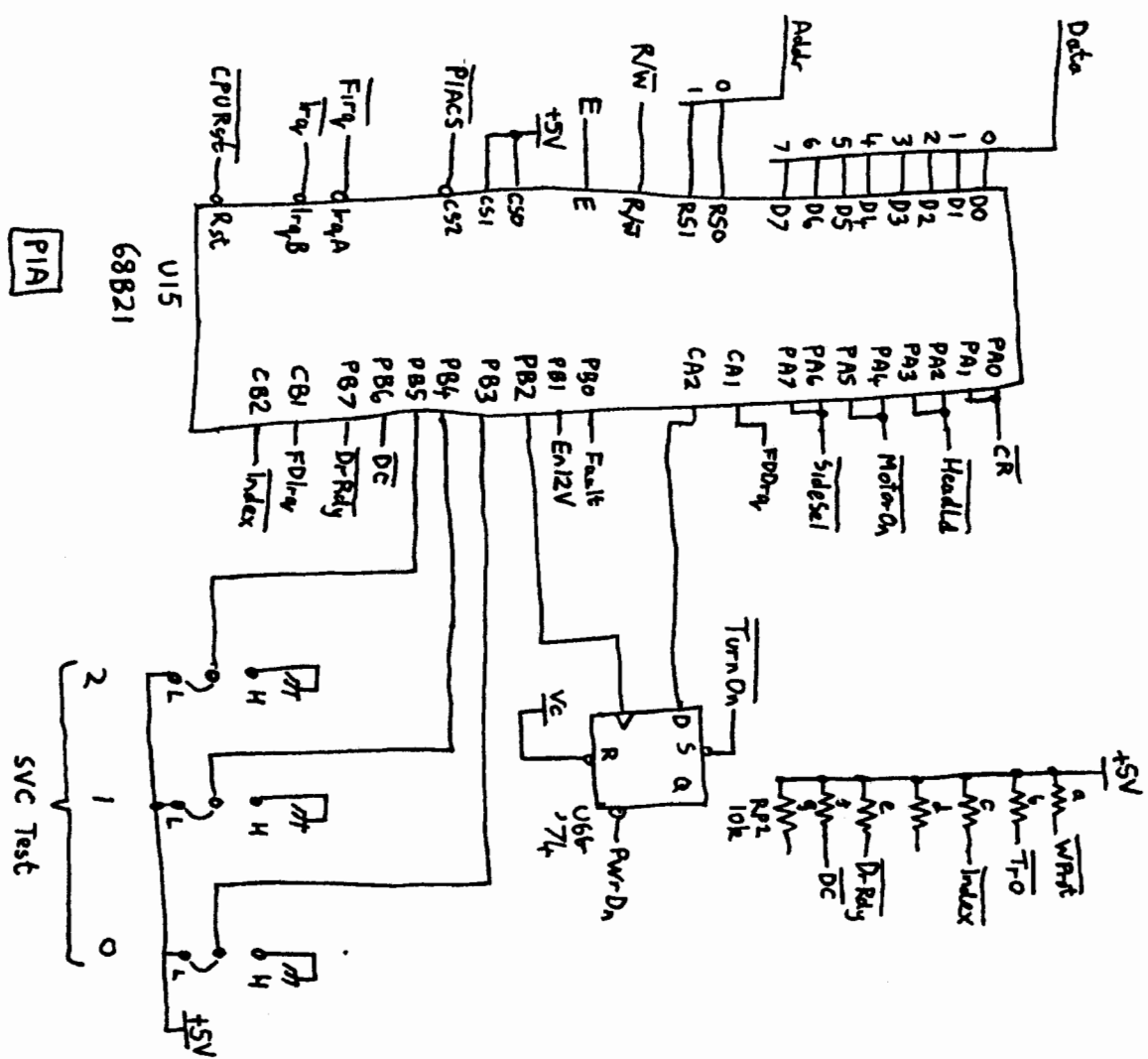
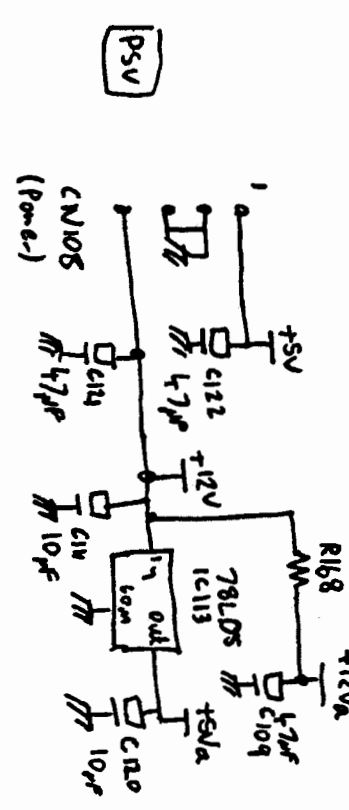
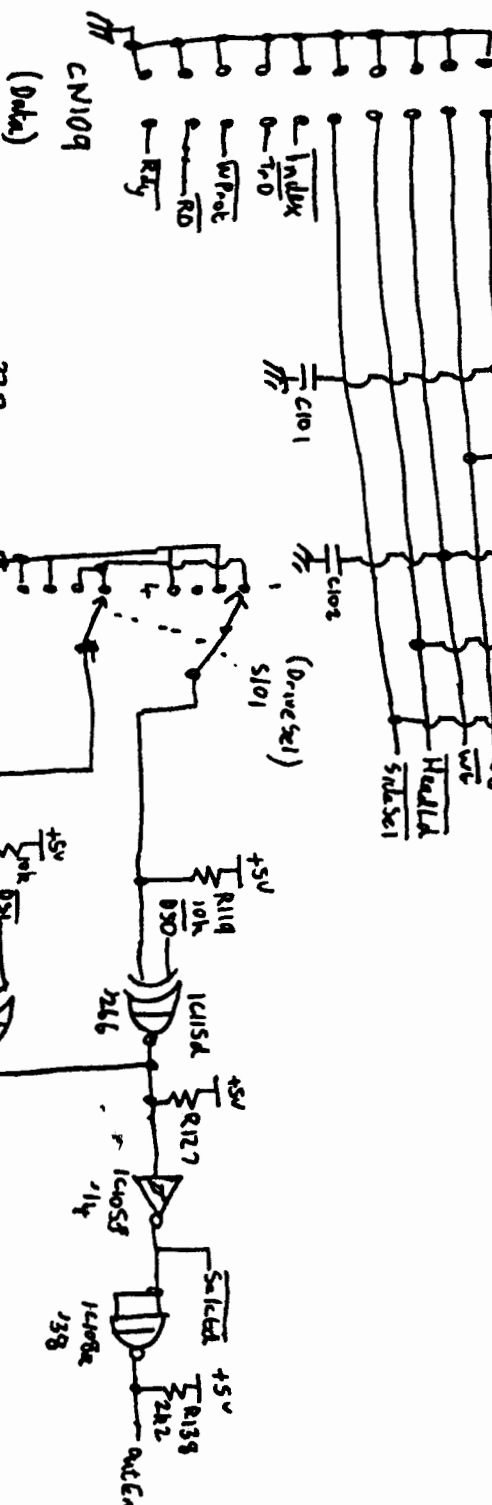
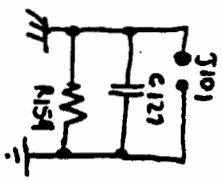
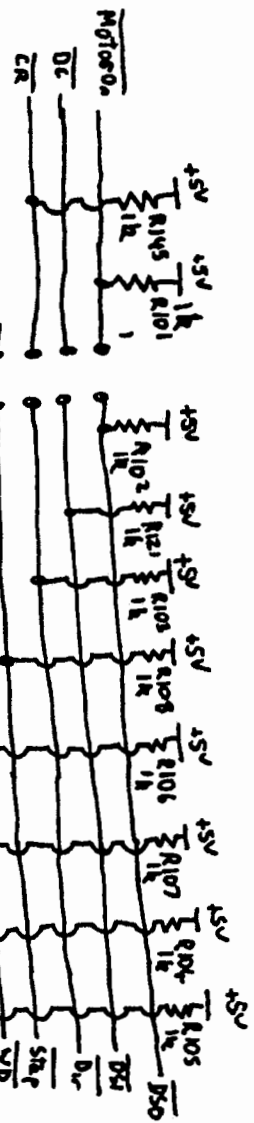


HPIL Interface

9114A Controller Sheet 5

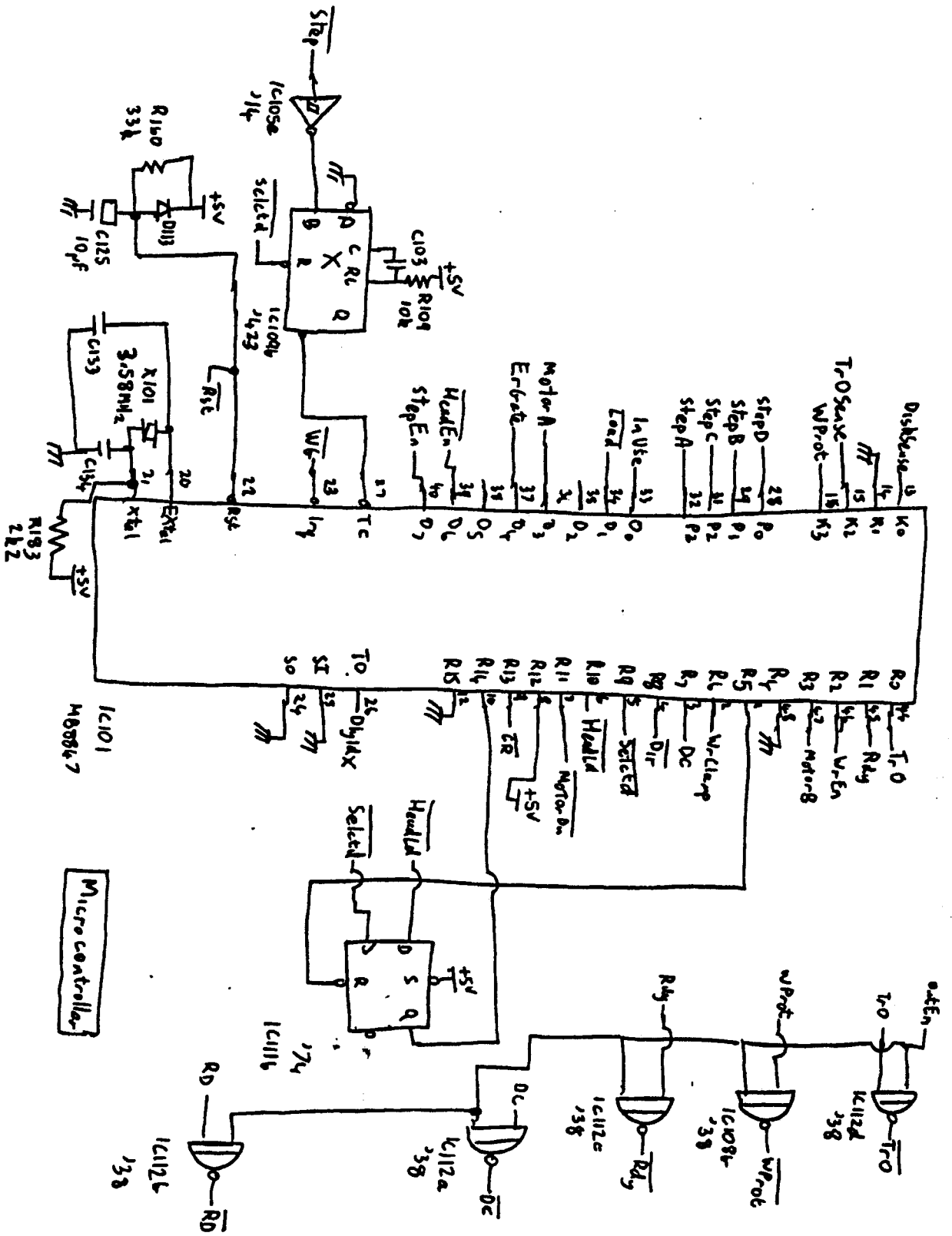
09114-66510



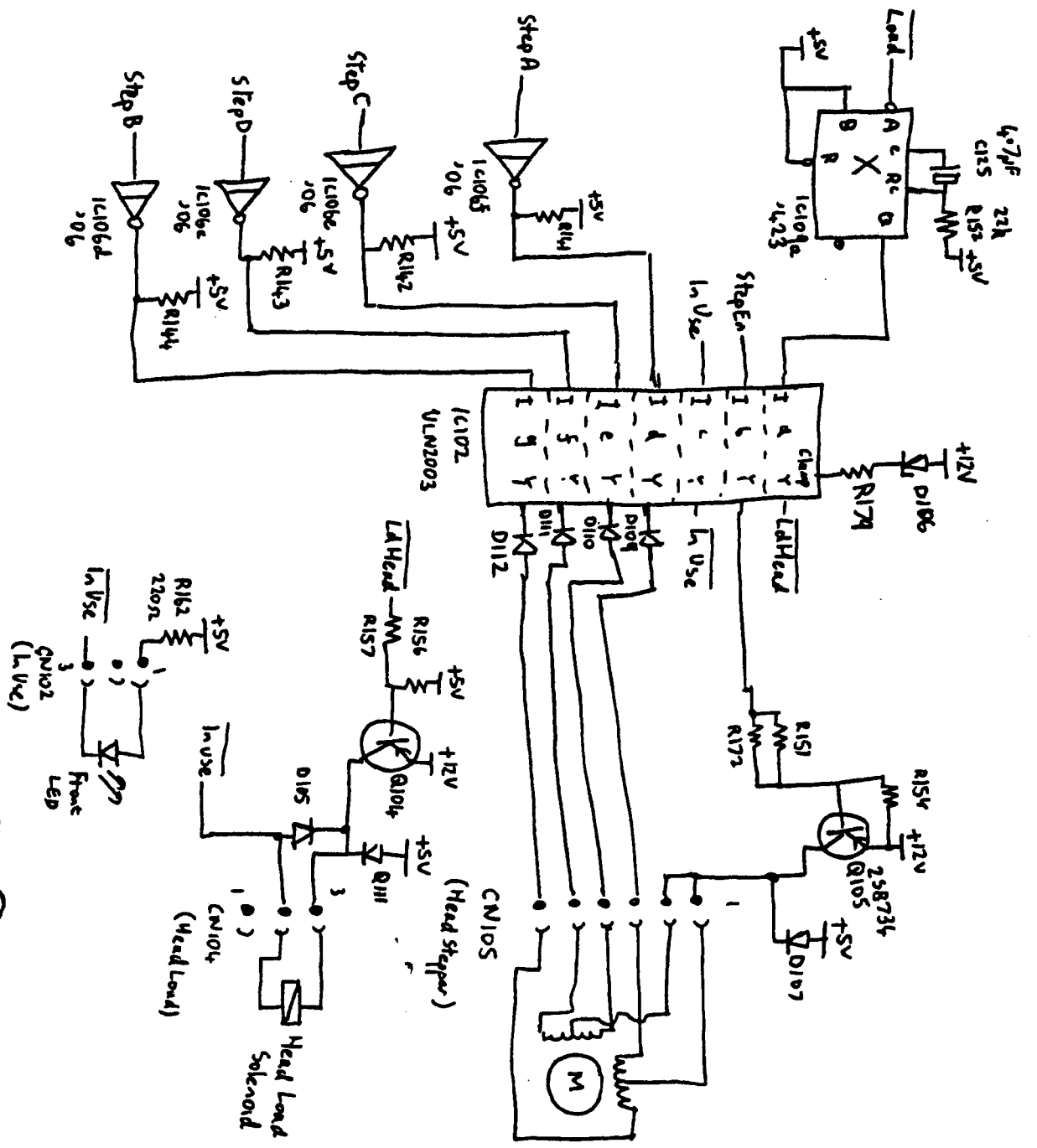


Sony Floppy Drive Logic Board FC9 Slot 1

Drive Select



Sony Floppy Drive Logic Board FC9 Slot 2

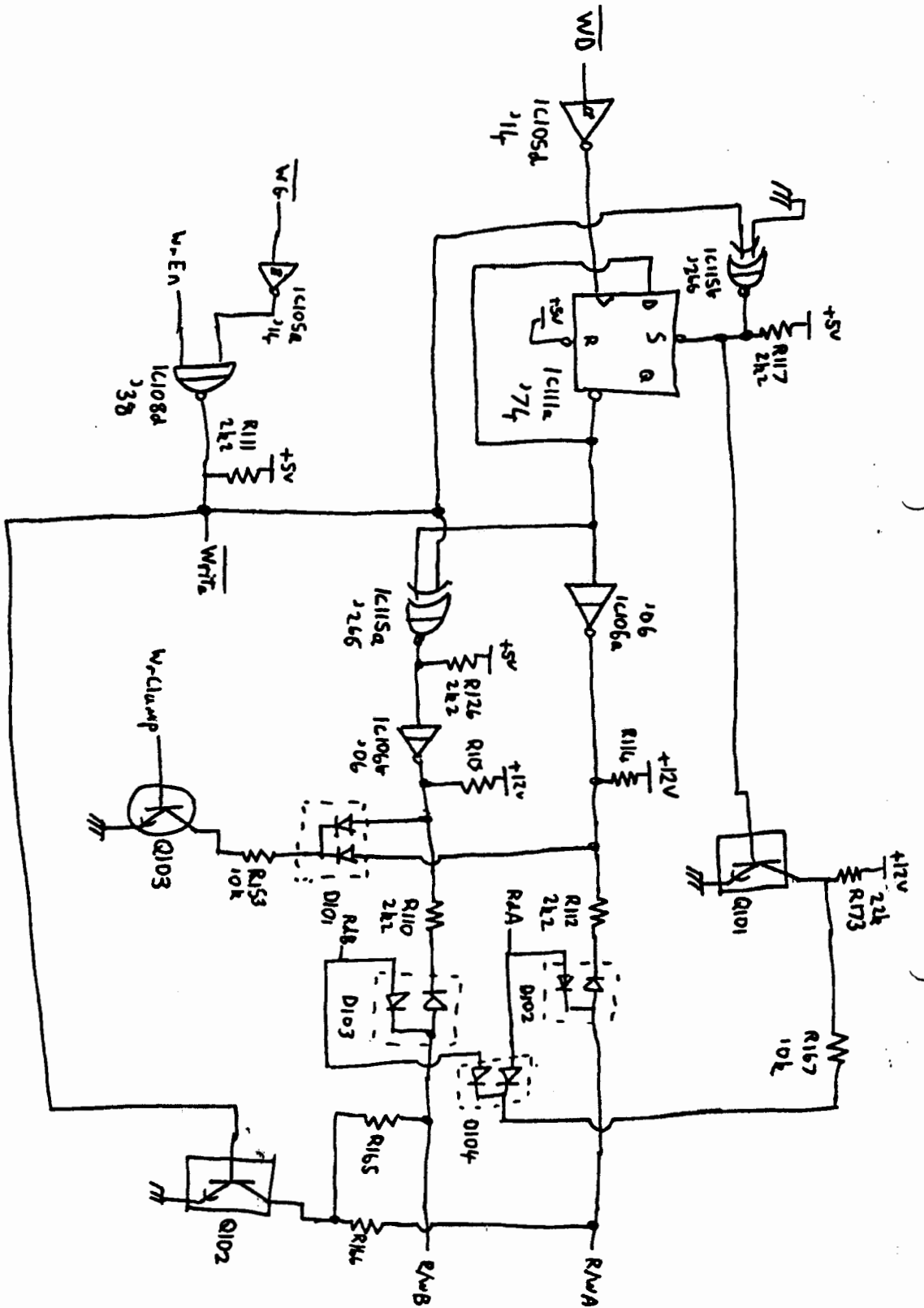


Sony Floppy Drive Logic Board FC9

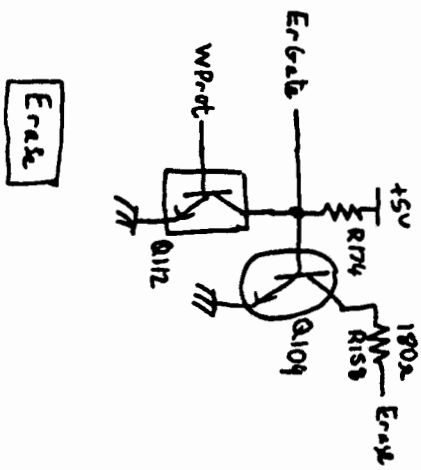
Sheet ④

Seey Floppy Drive Logic Board FC9 sheet 5

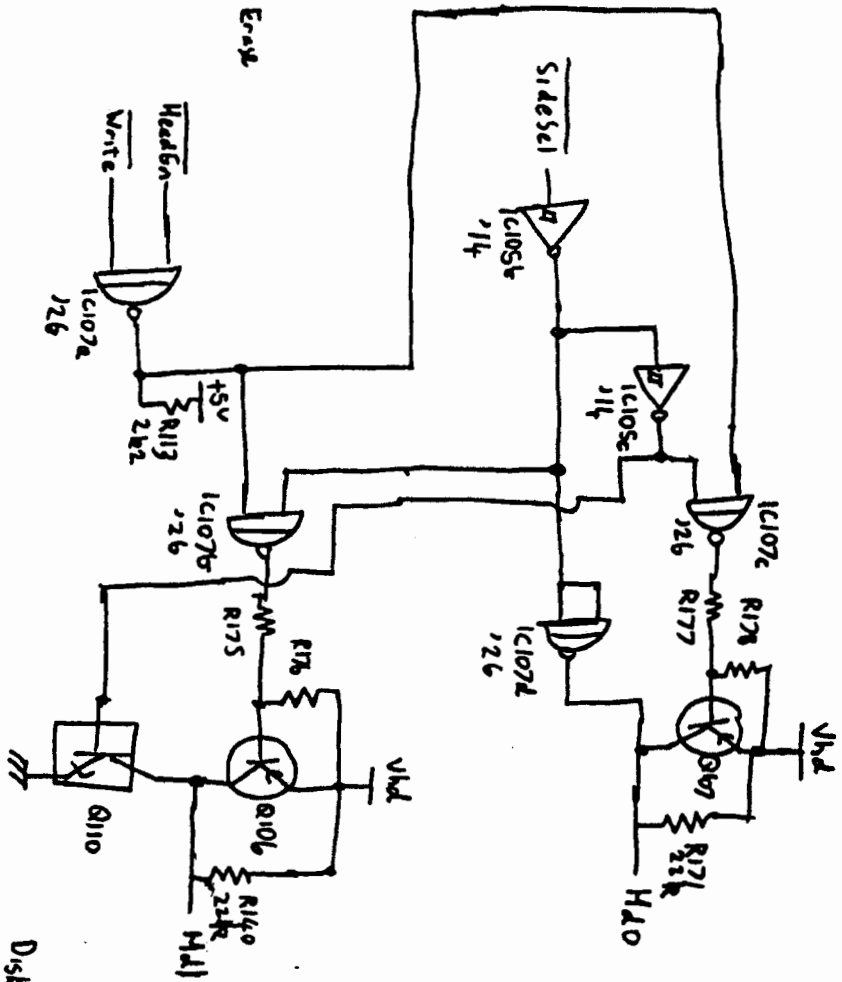
Write



Erase
 R/WA
 R/WB
 H40
 H41
 C4106
 (Head)



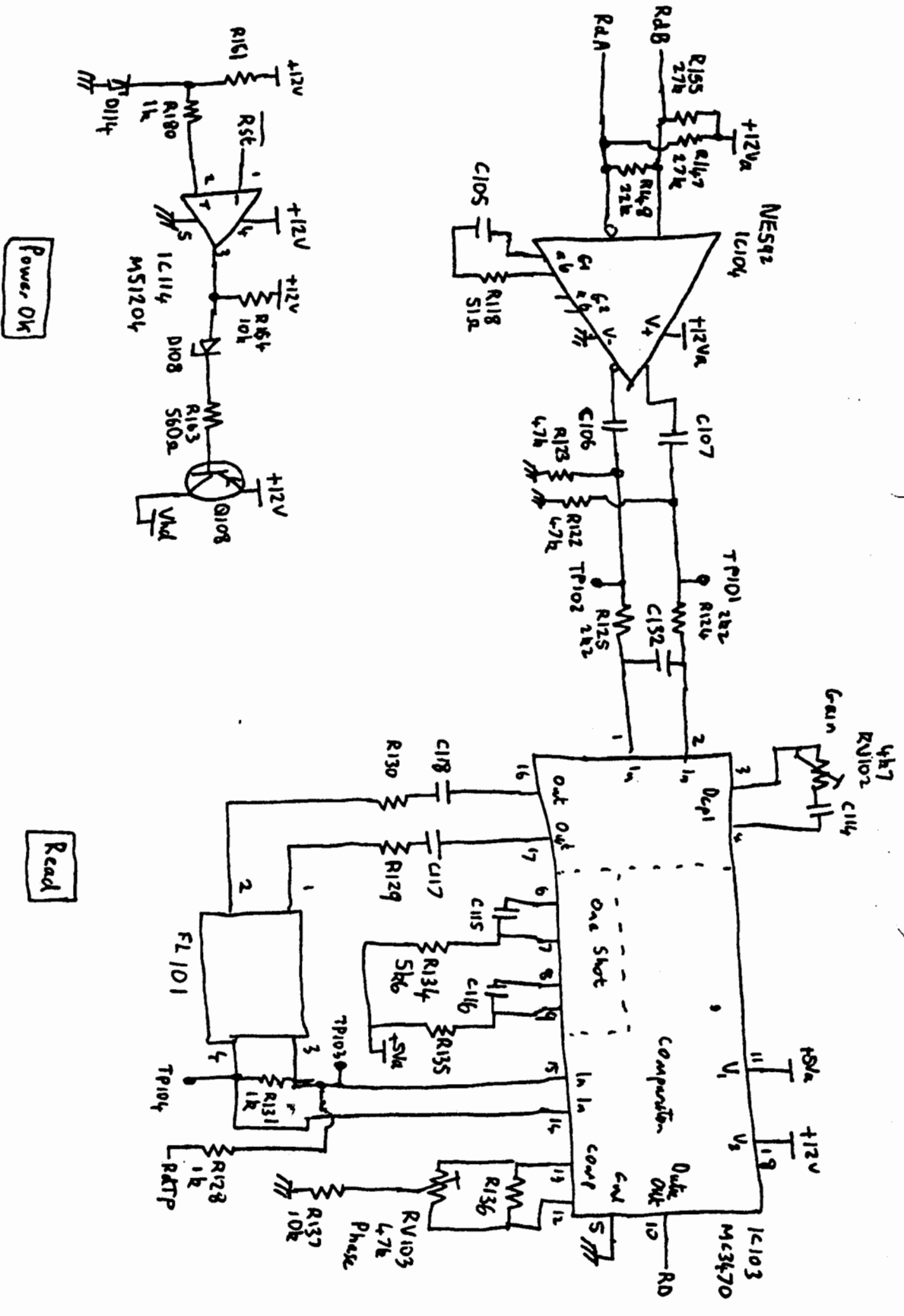
Erase



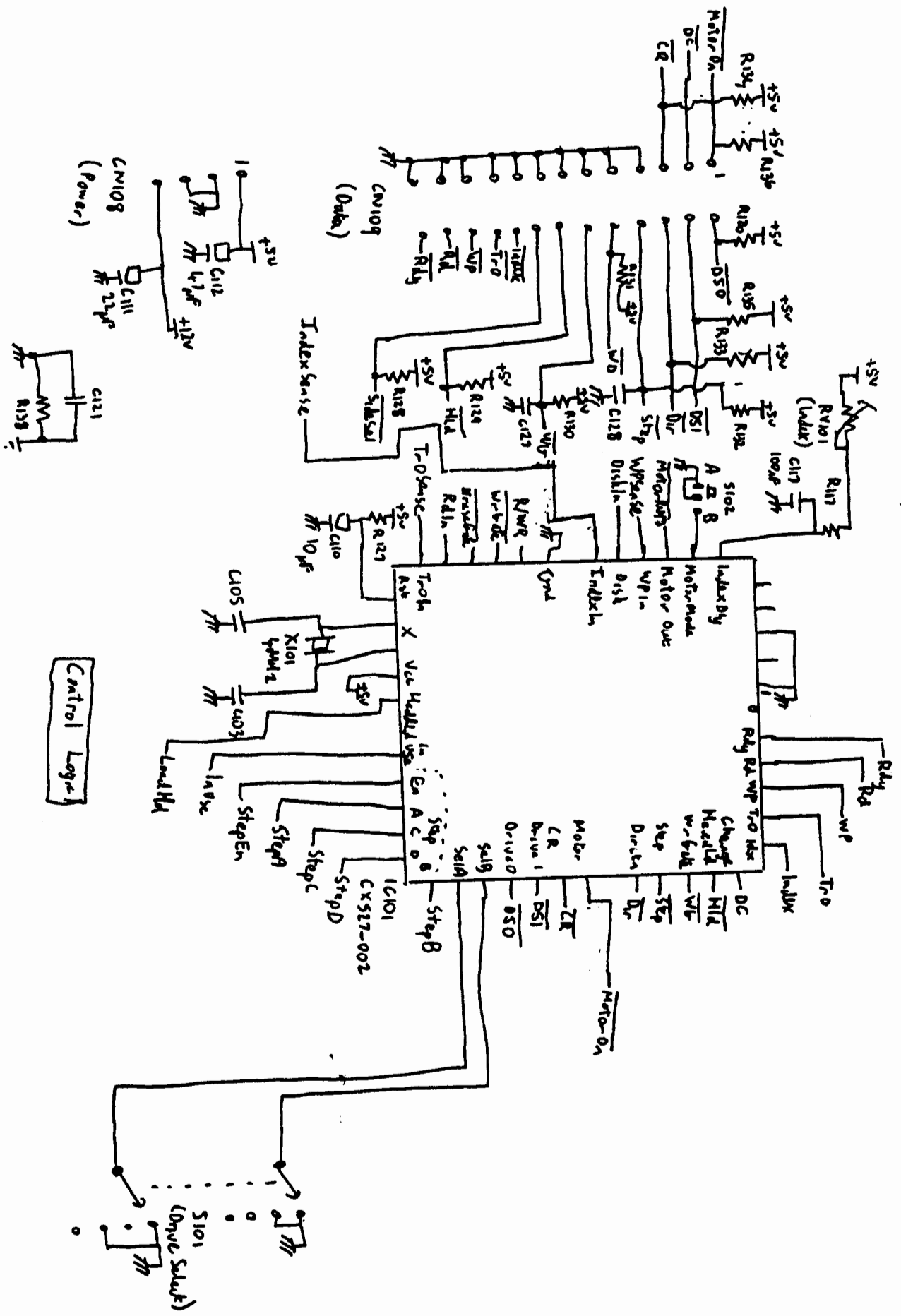
Head Switch

(Test Pad)
 CN107
 R4TP
 DiskSense
 TPOsense

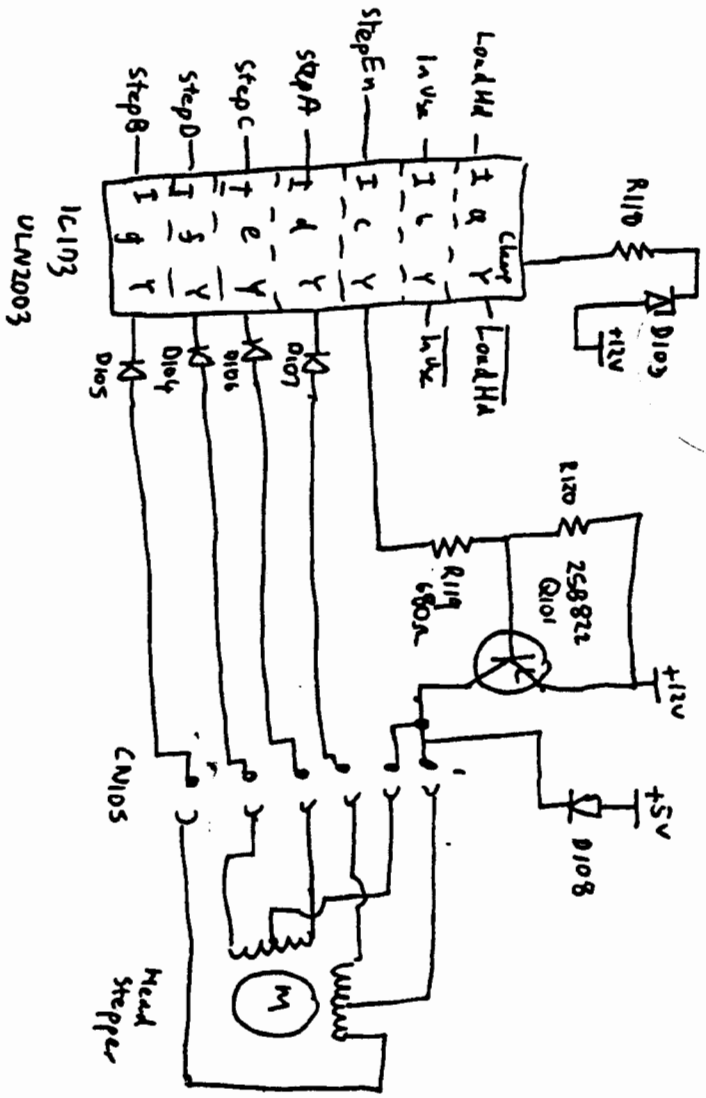
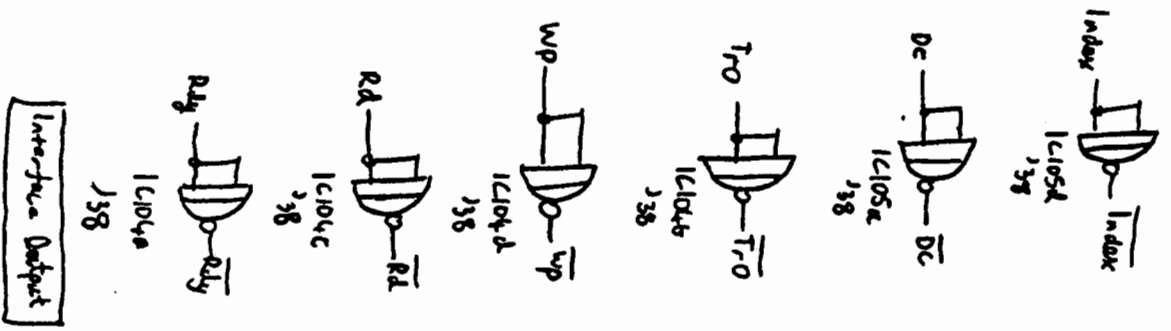
Sony Floppy Drive Logic Board FCQ sheet 6



Sony Floppy Drive Logic Board FC9 Skat 7

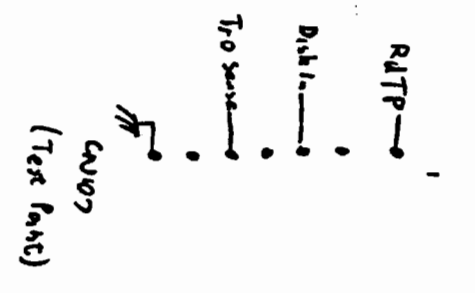
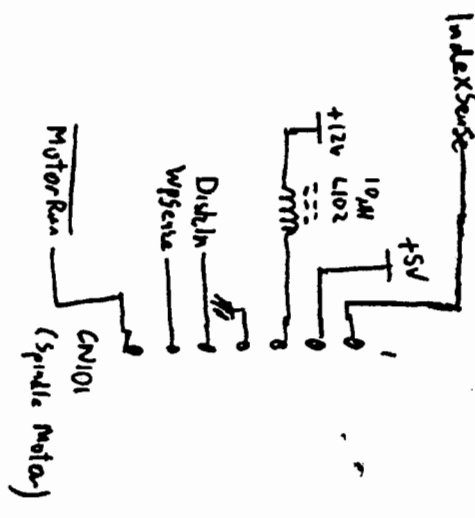
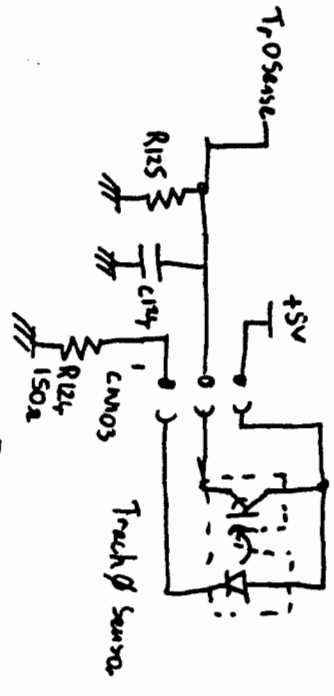
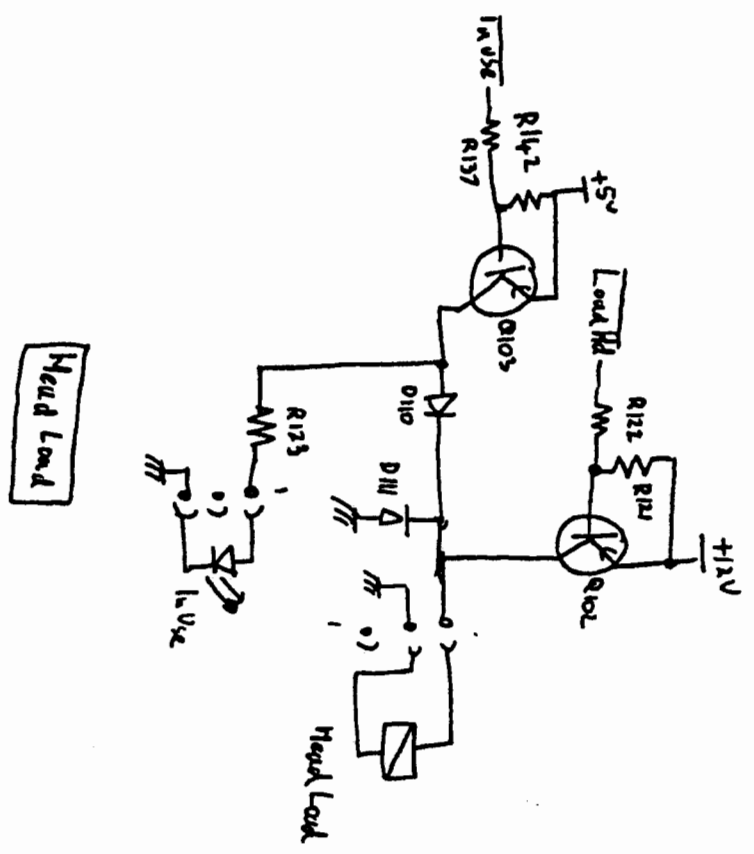


Sony Floppy Drive Logic Board FC116 Skat①

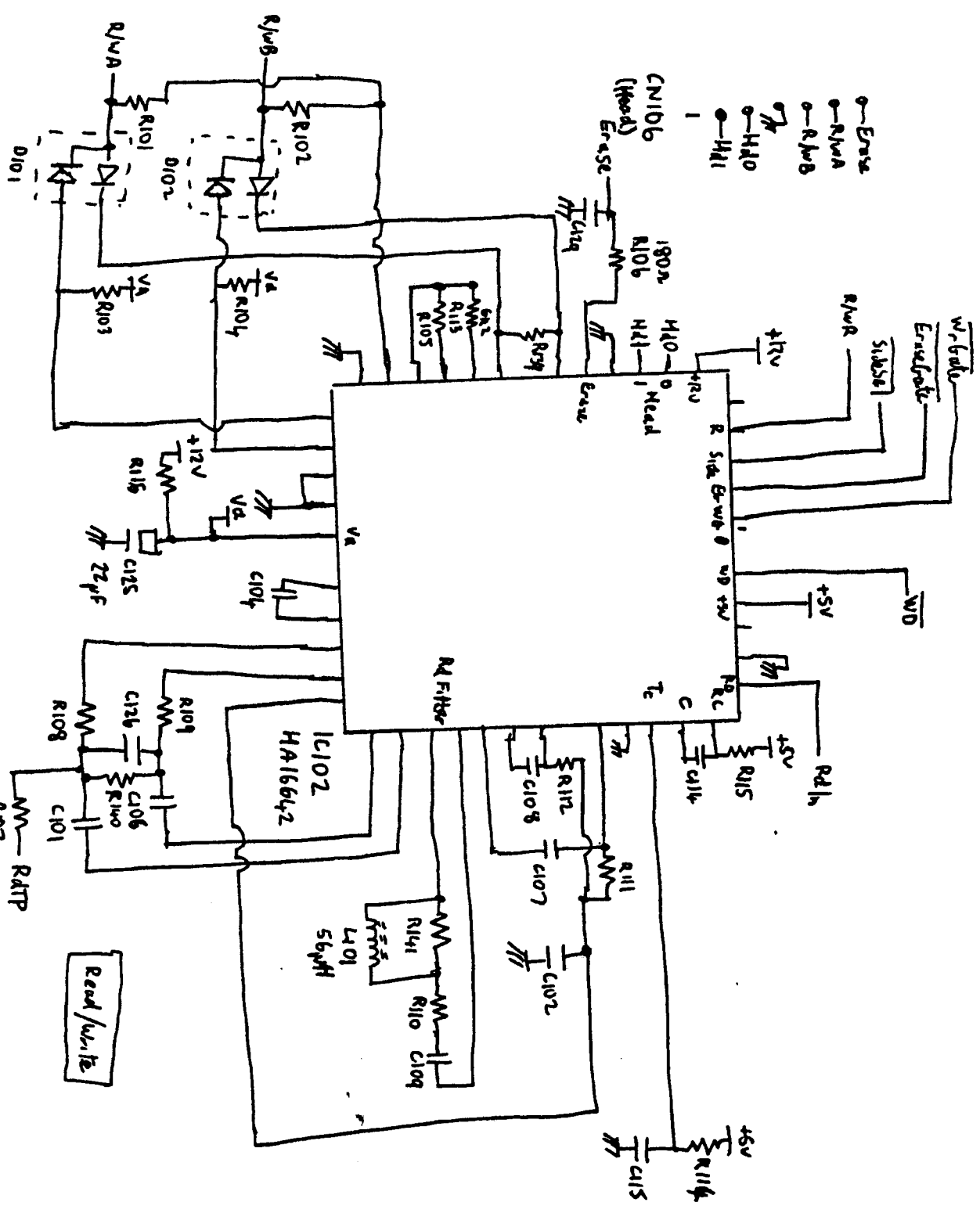


Stepper Driver

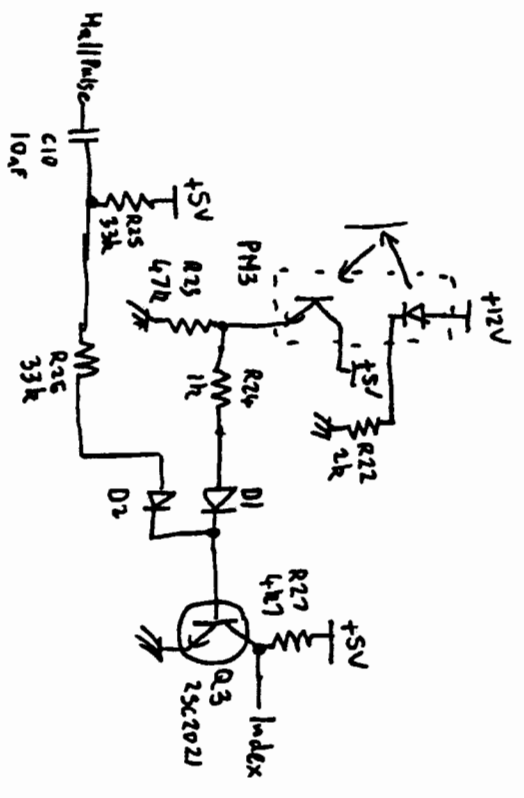
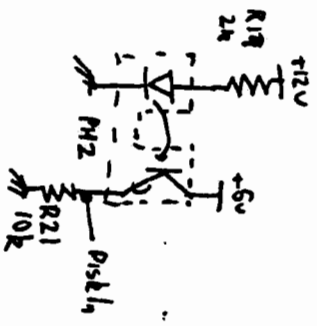
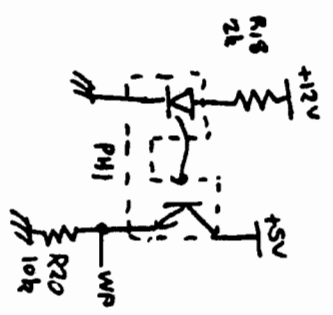
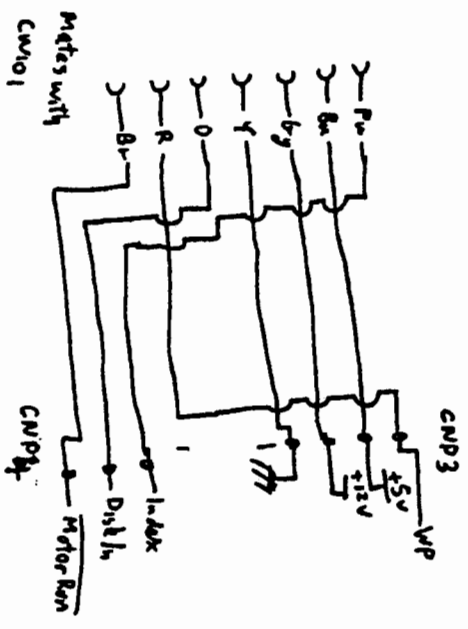
Sony Floppy Drive Logic Board FC16 Sheet 2



Sony Floppy Drive Logic Board Full Sheet ③

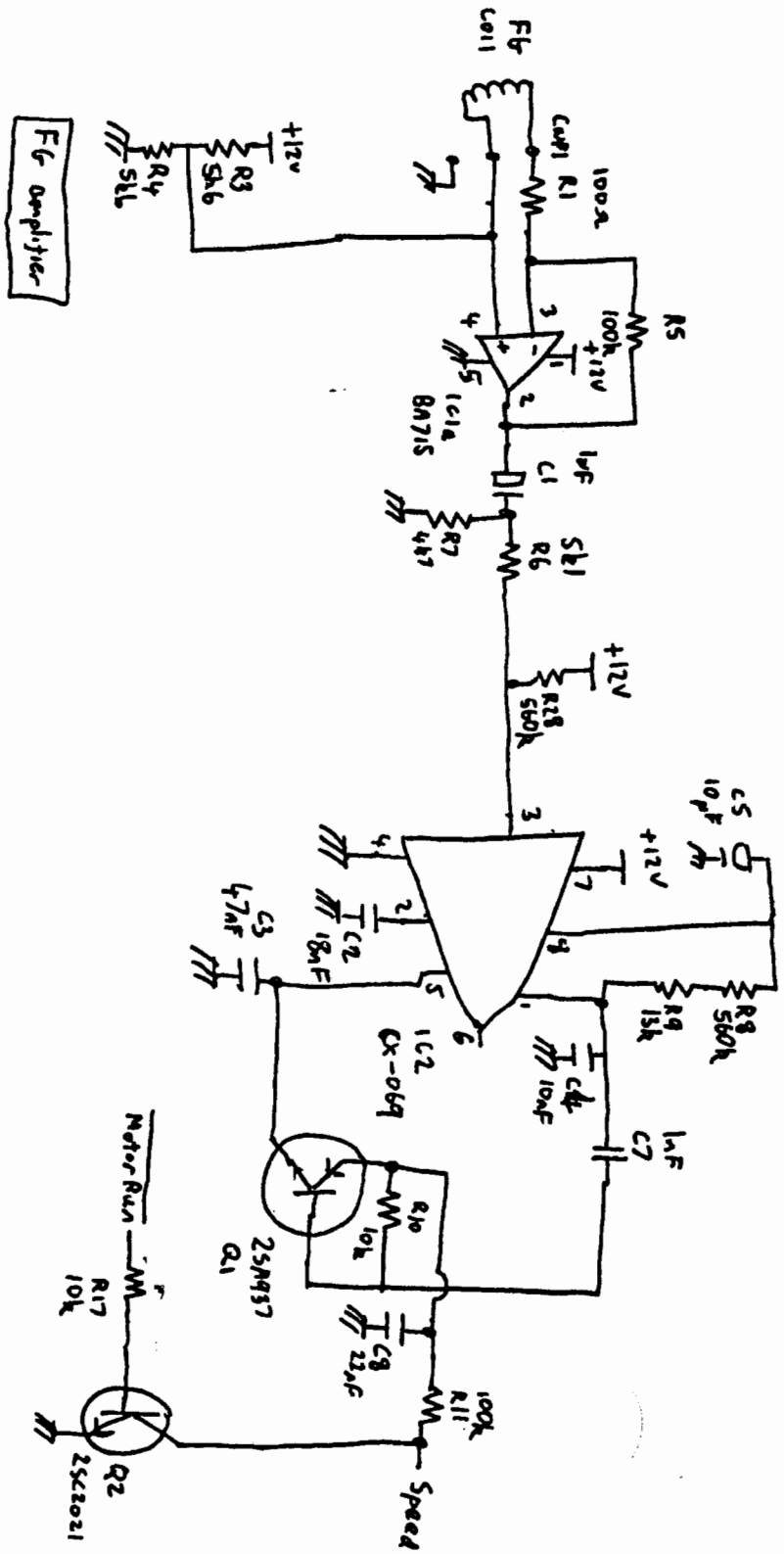


Sony Floppy Drive Logic Board FC16 Skat (4)

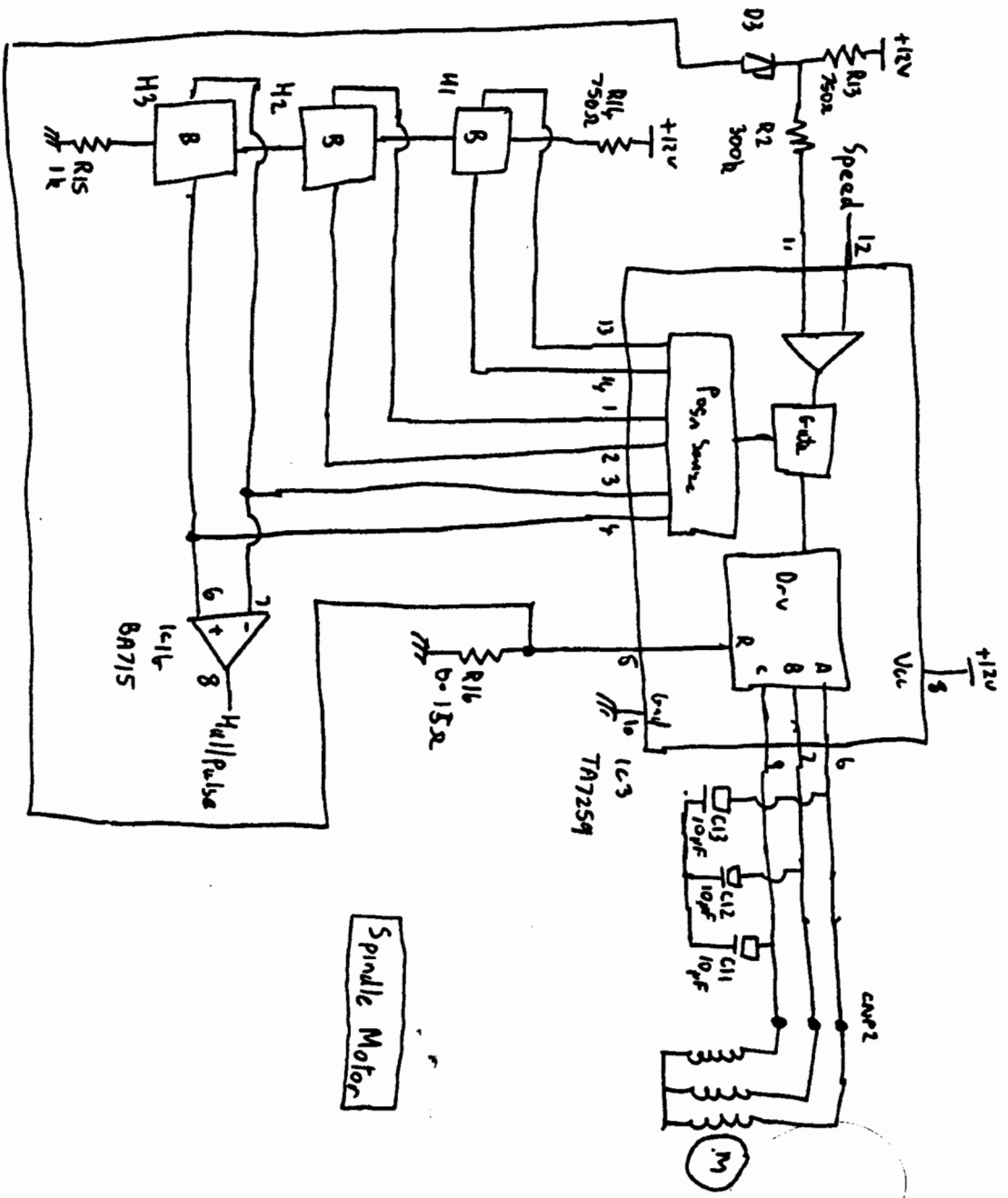


Sensor-8

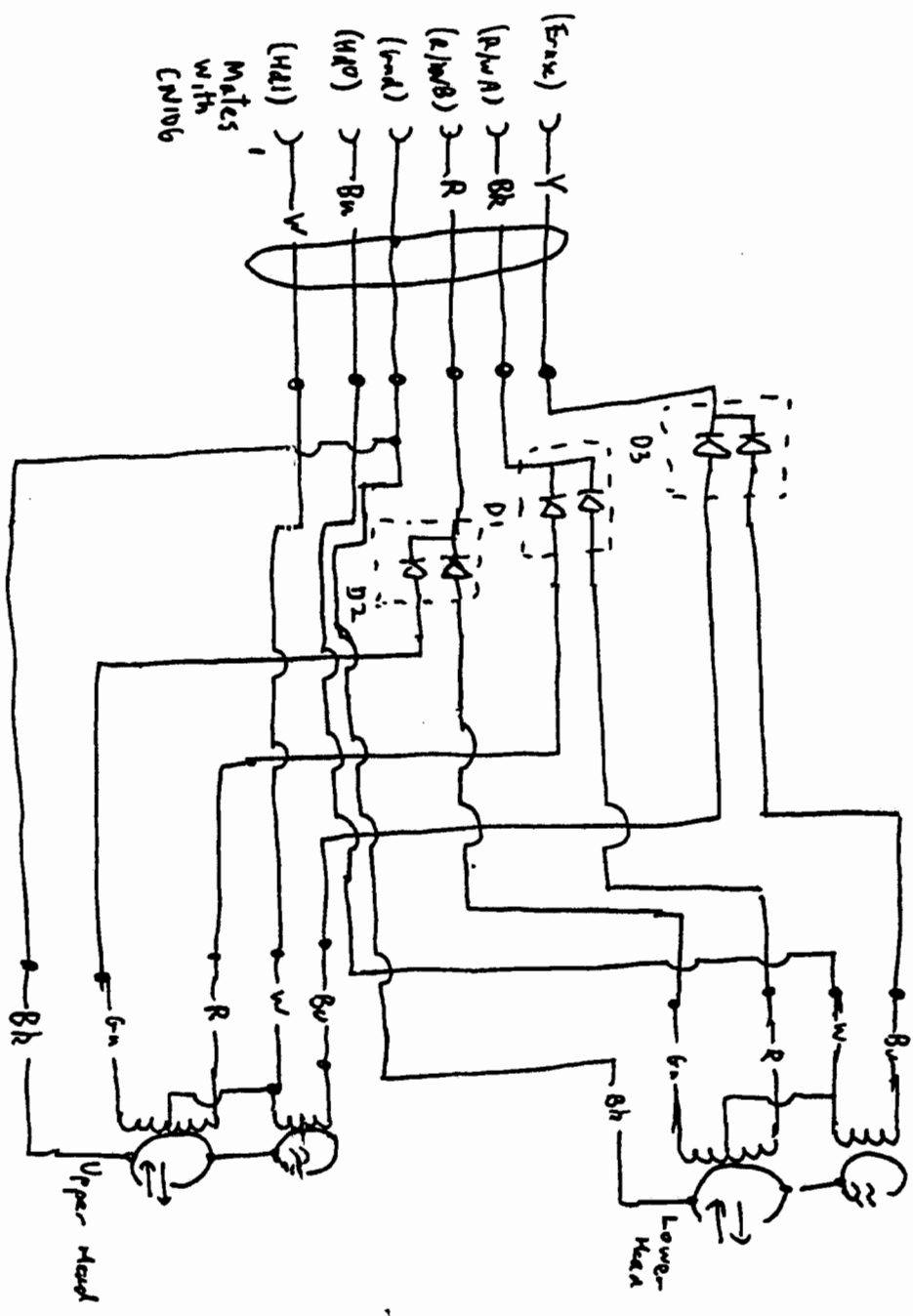
Sony Flippy Drive spindle motor Slide ①



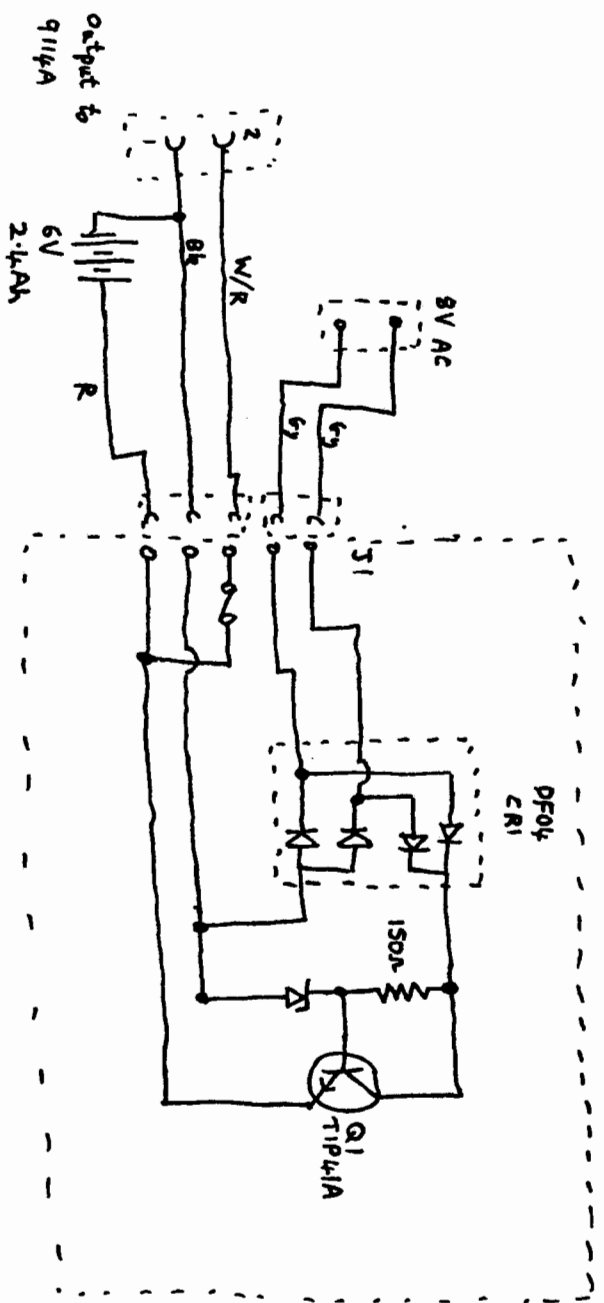
Sony Floppy Drive Spindle Motor skid 2



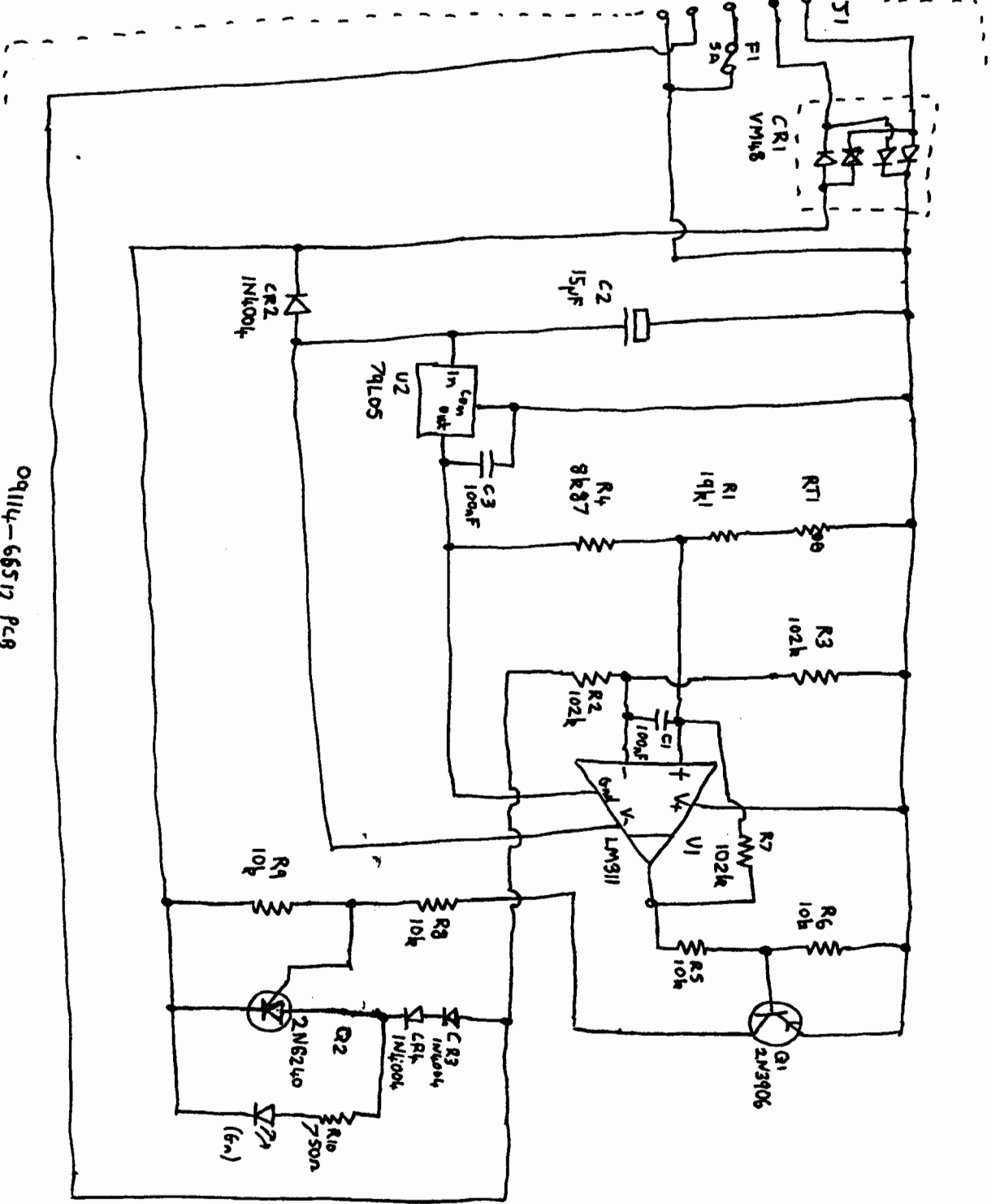
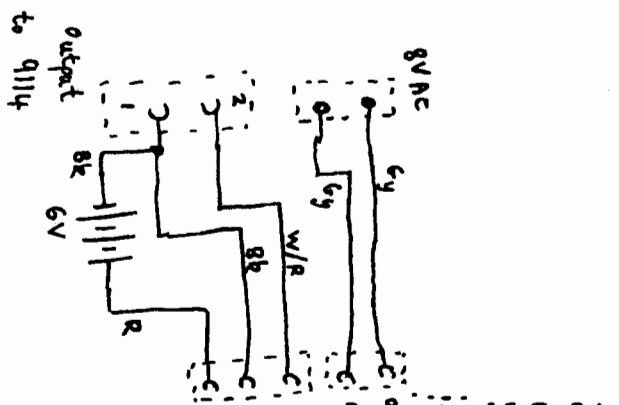
Sony Floppy Drive Spindle Motor Start ③



Sony Floppy Drive Double-Sided Head



88014A Battery Pack



880148 Battery Pack

0q1114-66512 P48